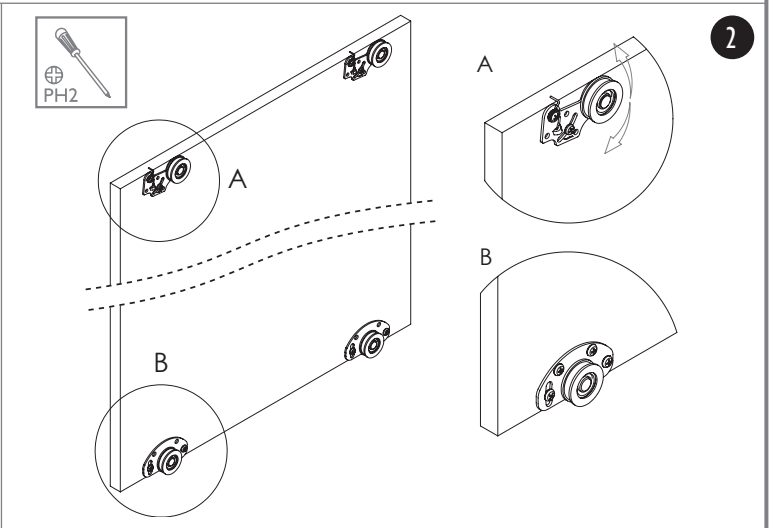
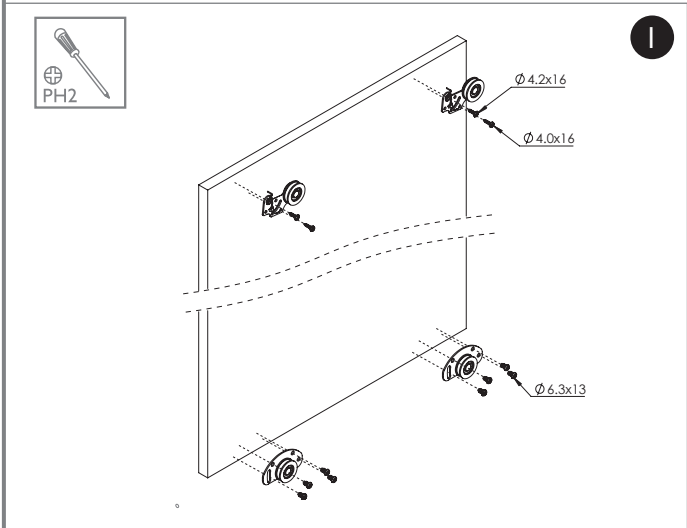
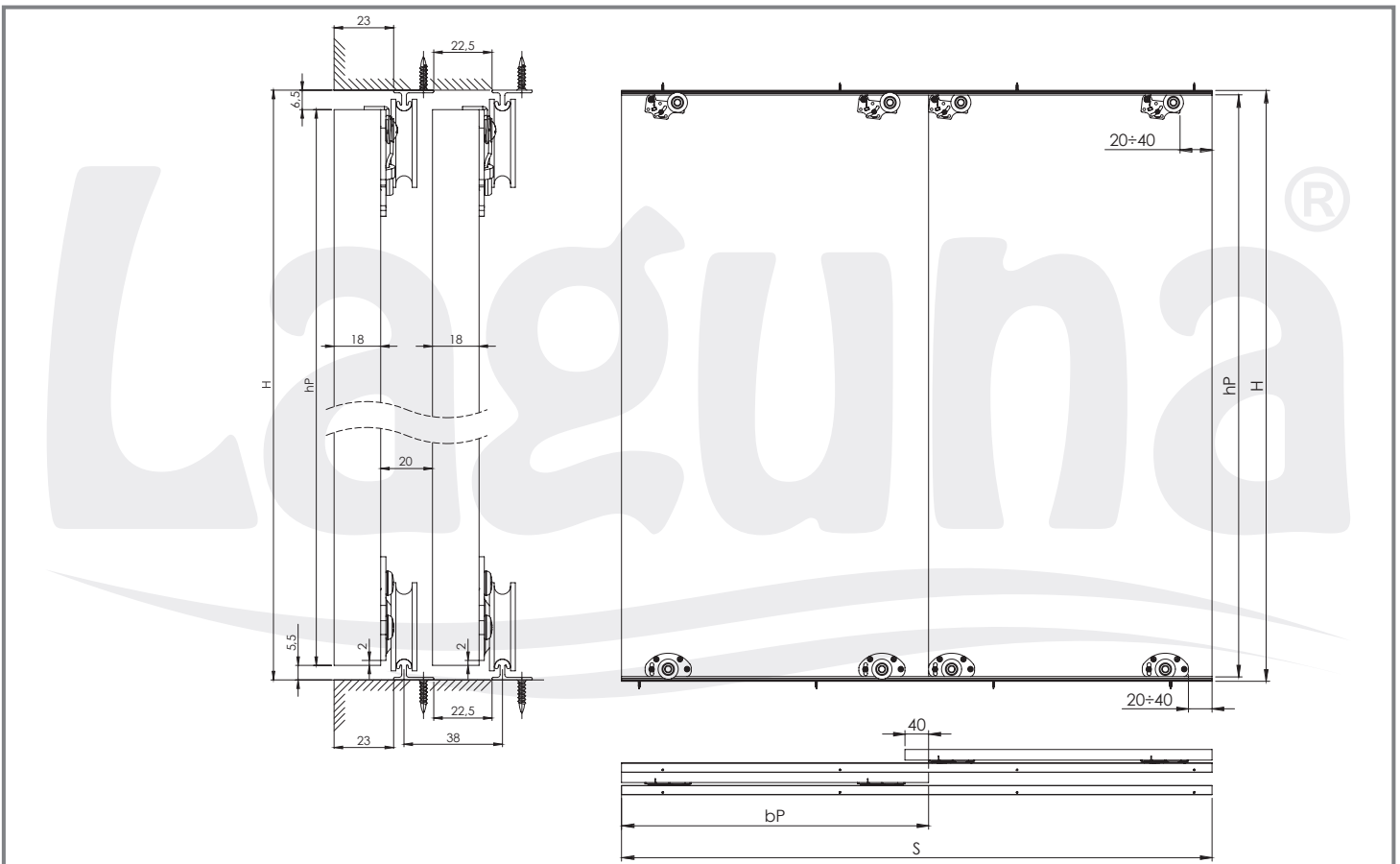
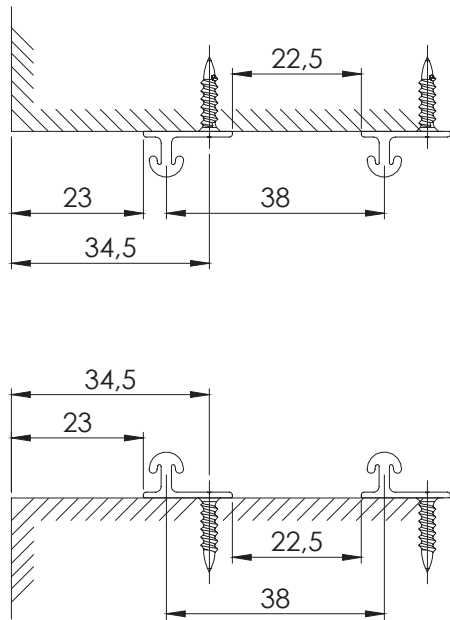




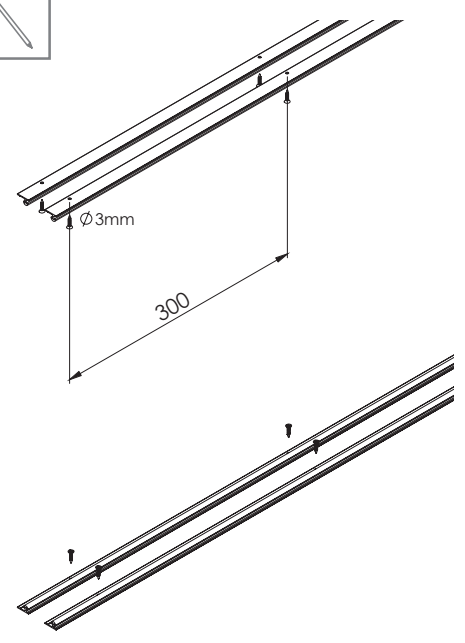
| Liczba skrzydeł n / Quantity of doors n | | n = 2 | n = 3 | n = 4 | n = 5 | n = 6 | n = 7 | n = 8 |
|---|---|-----------------|-----------------|------------------|------------------|------------------|------------------|------------------|
| 10-42 mm | Wysokość płyty hP [mm] / Board height hP [mm] | hP = H-12 | | | | | | |
| | Szerokość płyty bP [mm] / Board width bP [mm] | $bP = (S+40)/2$ | $bP = (S+80)/3$ | $bP = (S+120)/4$ | $bP = (S+160)/5$ | $bP = (S+200)/6$ | $bP = (S+240)/7$ | $bP = (S+280)/8$ |



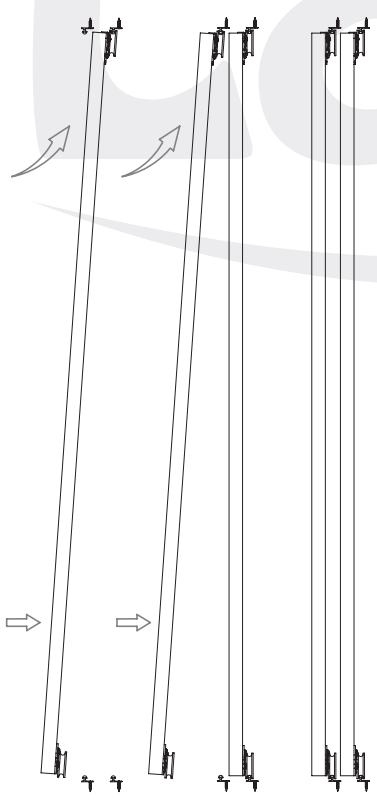
3



4



5



6

